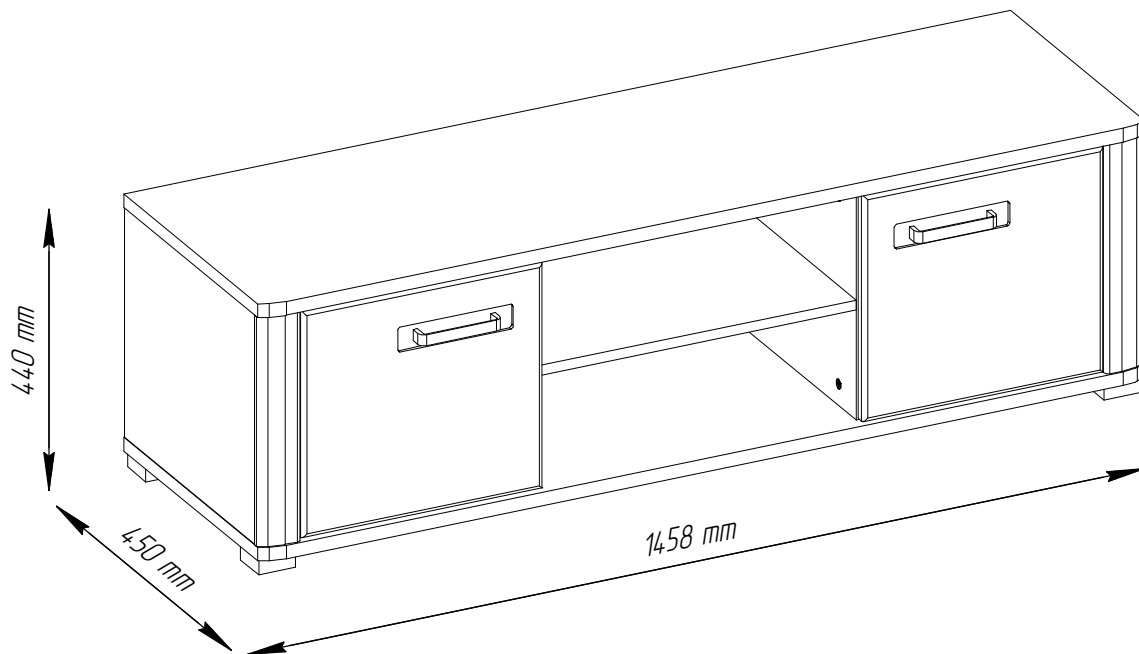
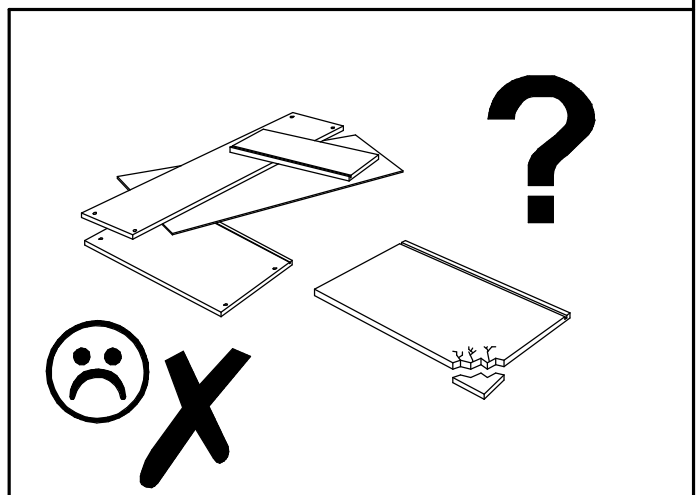
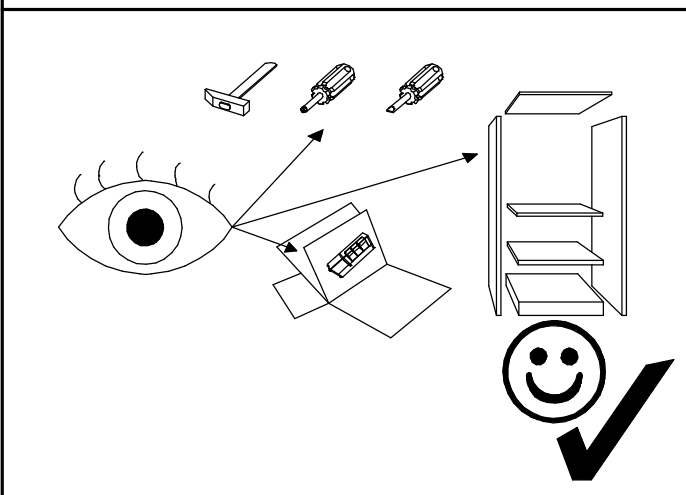
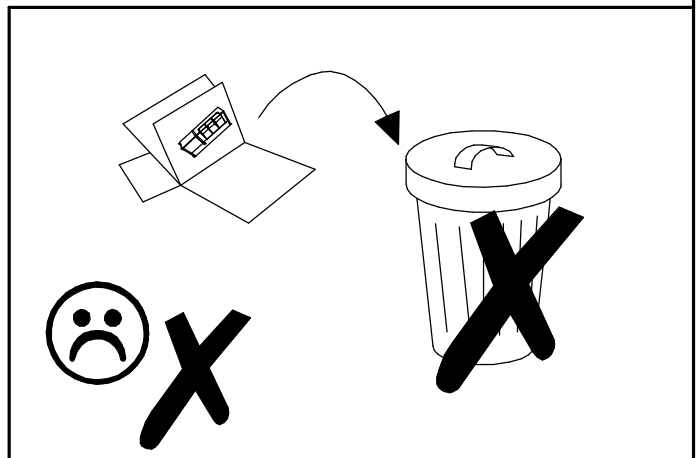
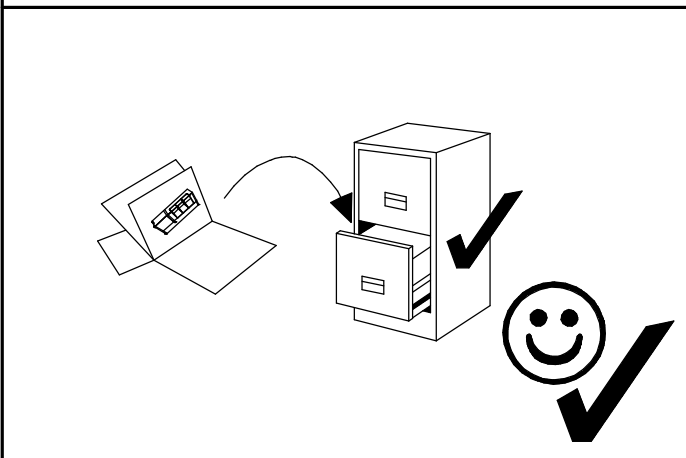
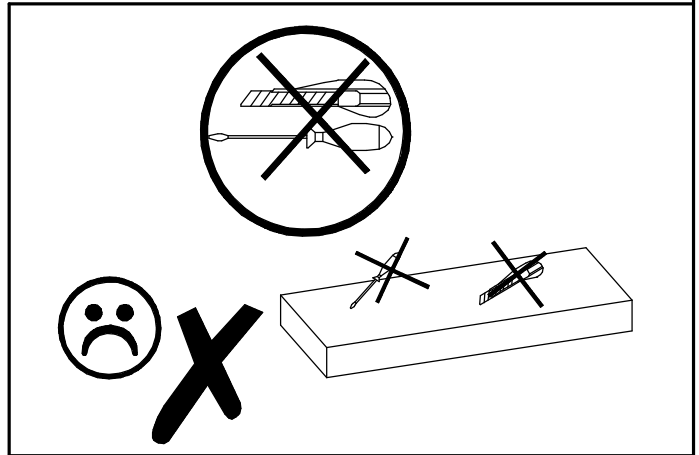
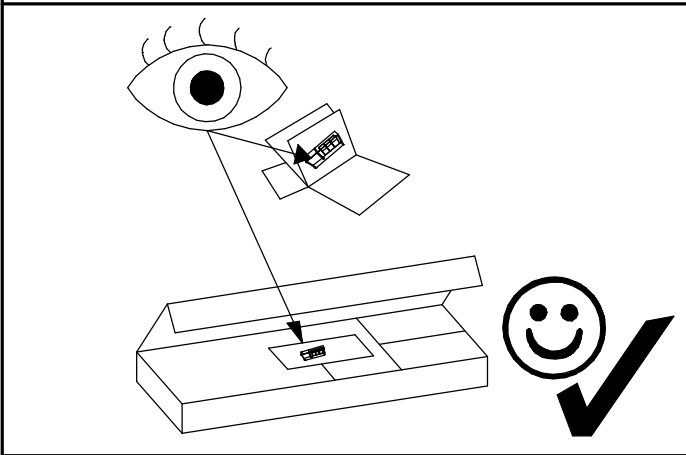
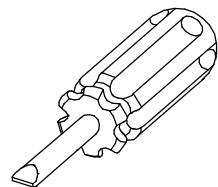
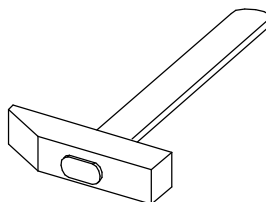
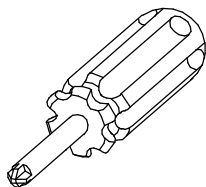
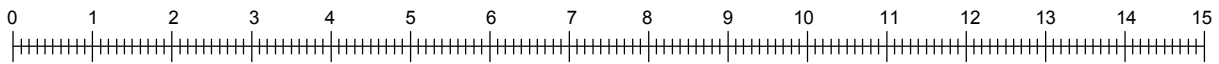
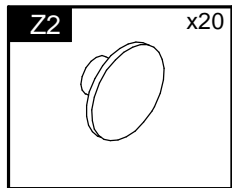
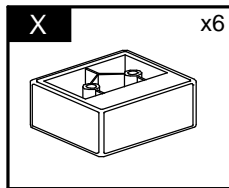
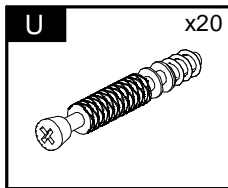
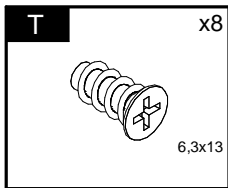
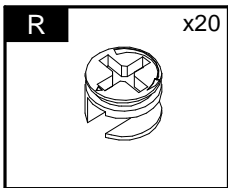
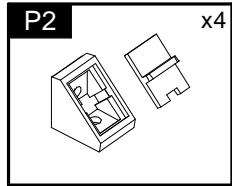
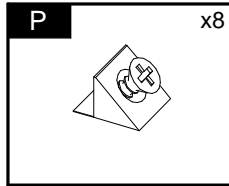
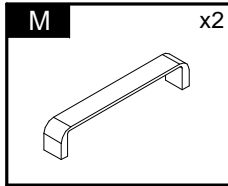
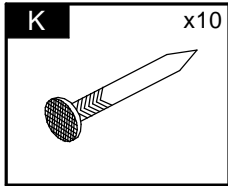
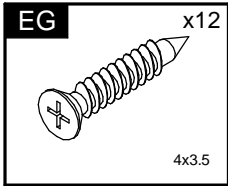
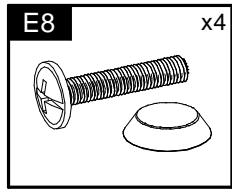
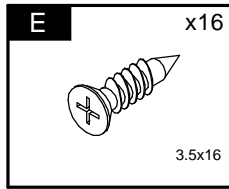
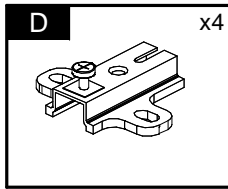
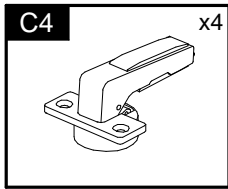
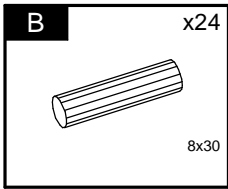


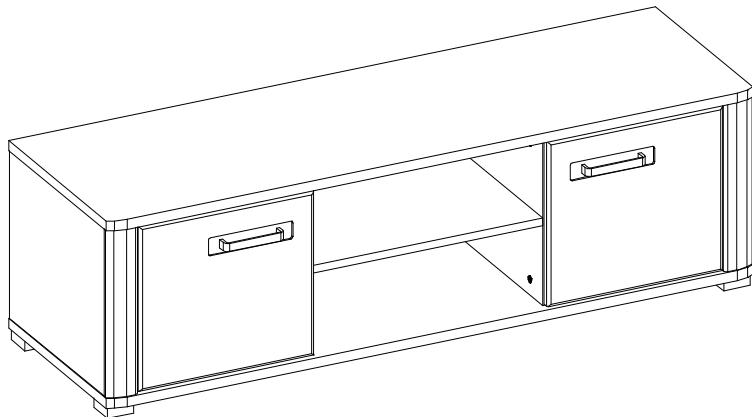
DAVIN

Typ H

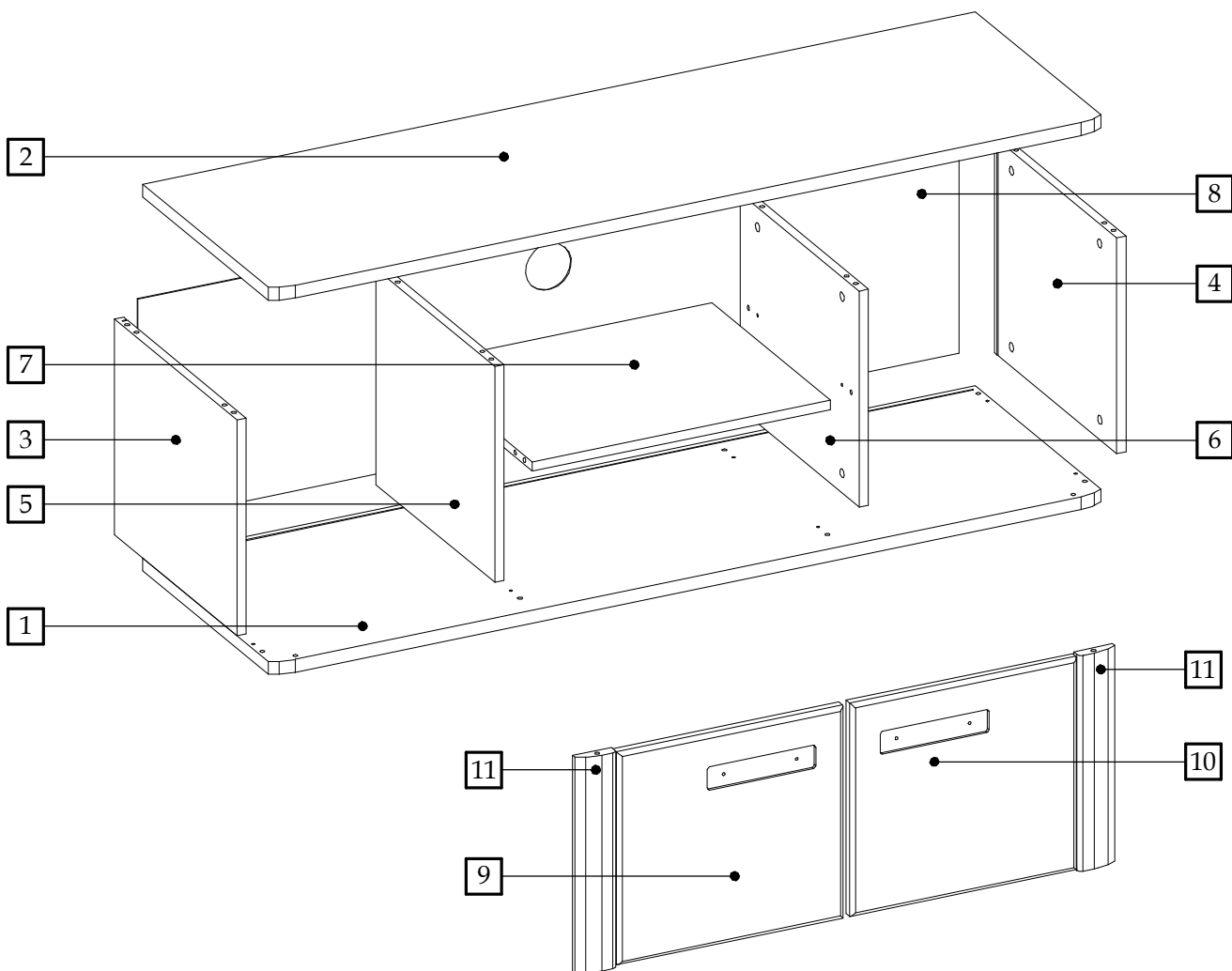


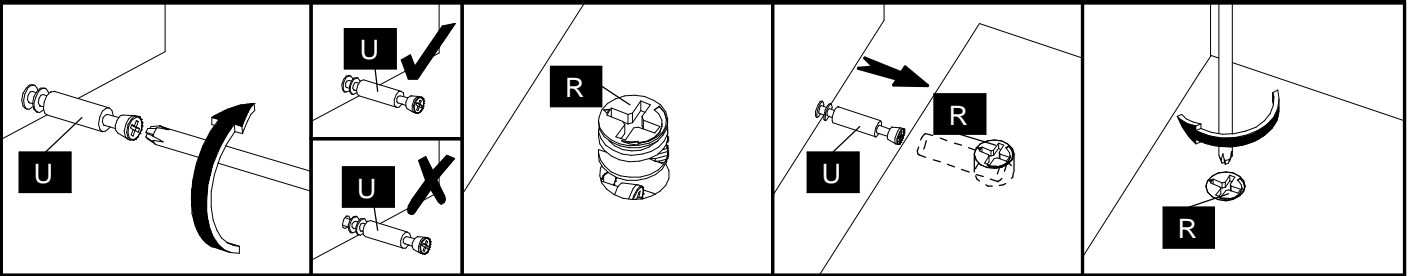




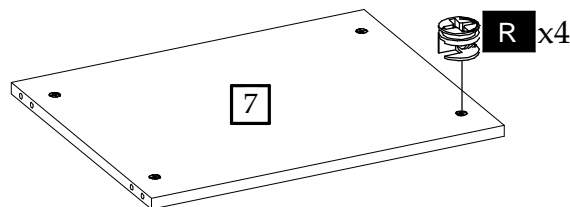
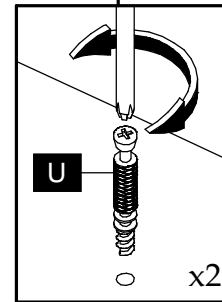
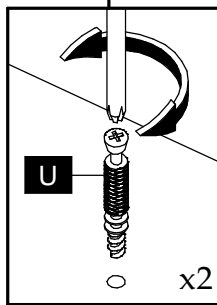
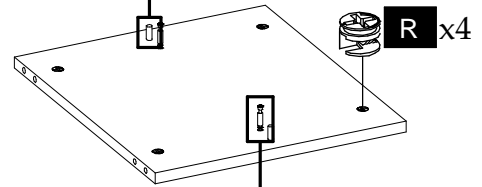
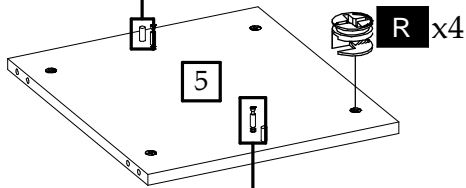
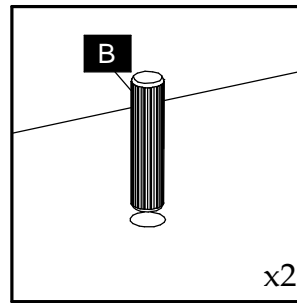
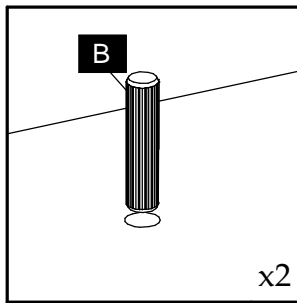


| Element symbol | Measurements | | | | Code | Paket |
|----------------|--------------|-------|-----|---|------|-------|
| 1 | 1458 | 450 | 22 | 1 | 1001 | 1/1 |
| 2 | 1458 | 450 | 22 | 1 | 1002 | 1/1 |
| 3 | 371 | 428 | 16 | 1 | 1003 | 1/1 |
| 4 | 371 | 428 | 16 | 1 | 1004 | 1/1 |
| 5 | 371 | 415 | 16 | 1 | 1005 | 1/1 |
| 6 | 371 | 415 | 16 | 1 | 1006 | 1/1 |
| 7 | 522 | 414.5 | 16 | 1 | 1008 | 1/1 |
| 8 | 1438 | 385 | 2.5 | 1 | N/A | 1/1 |
| 9 | 366 | 396 | 19 | 1 | 3020 | 1/1 |
| 10 | 366 | 396 | 19 | 1 | 3021 | 1/1 |
| 11 | 371 | 68 | 19 | 2 | 3012 | 1/1 |

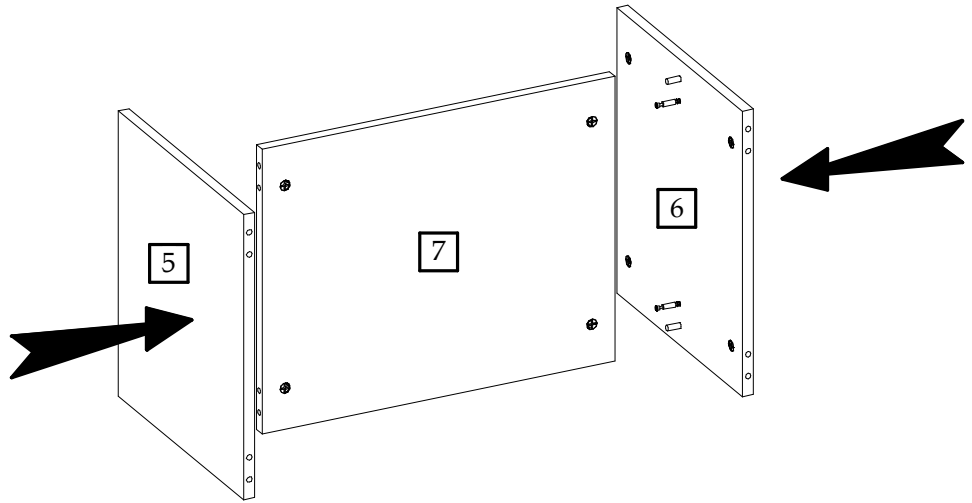




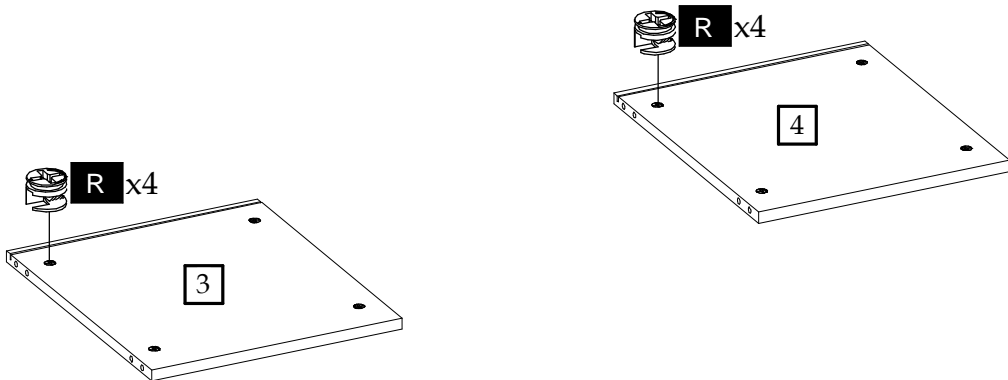
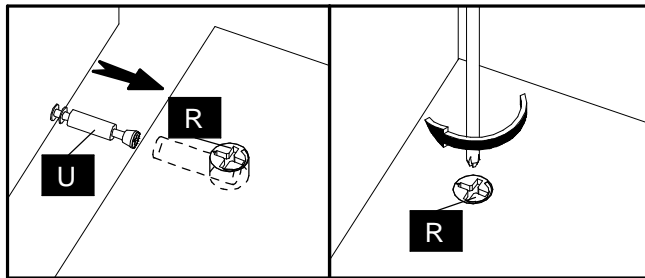
1



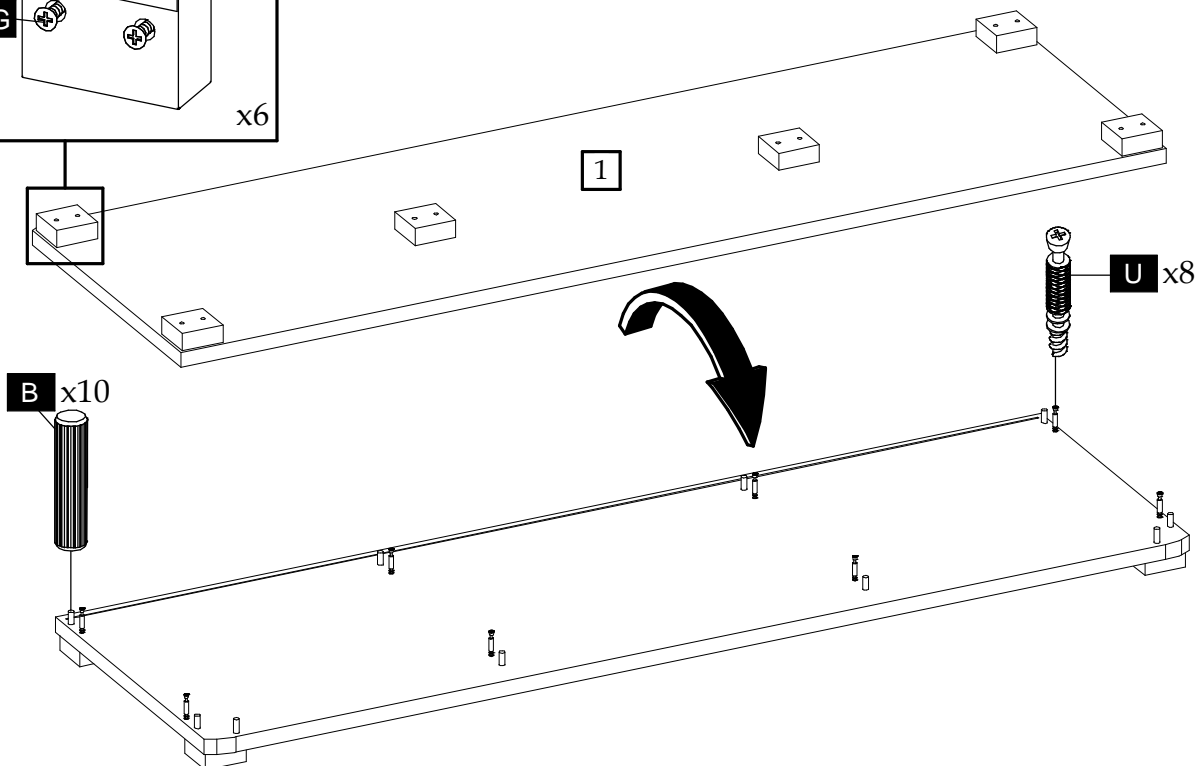
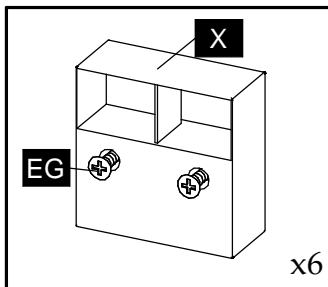
2



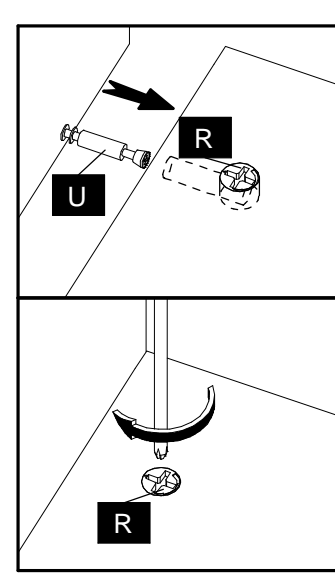
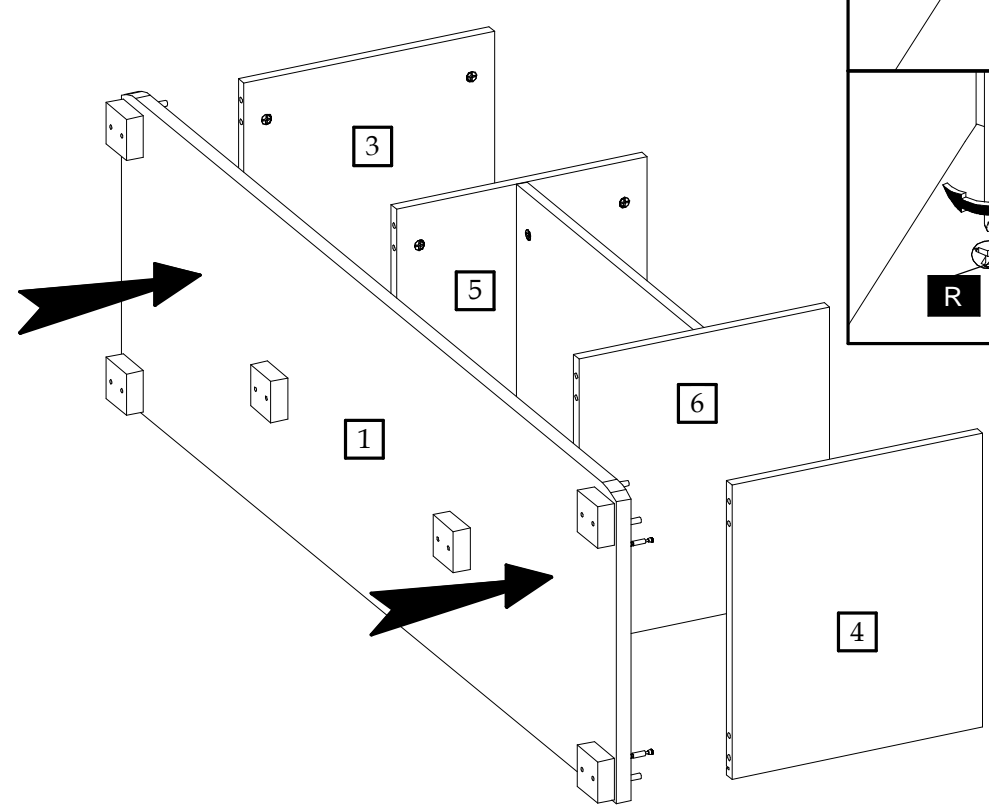
3



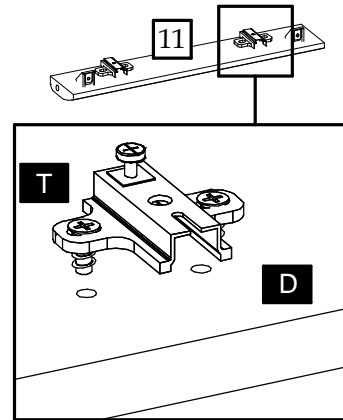
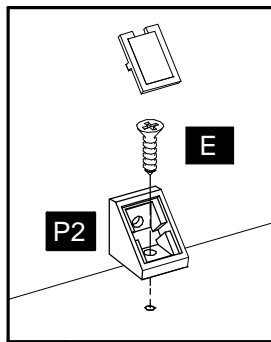
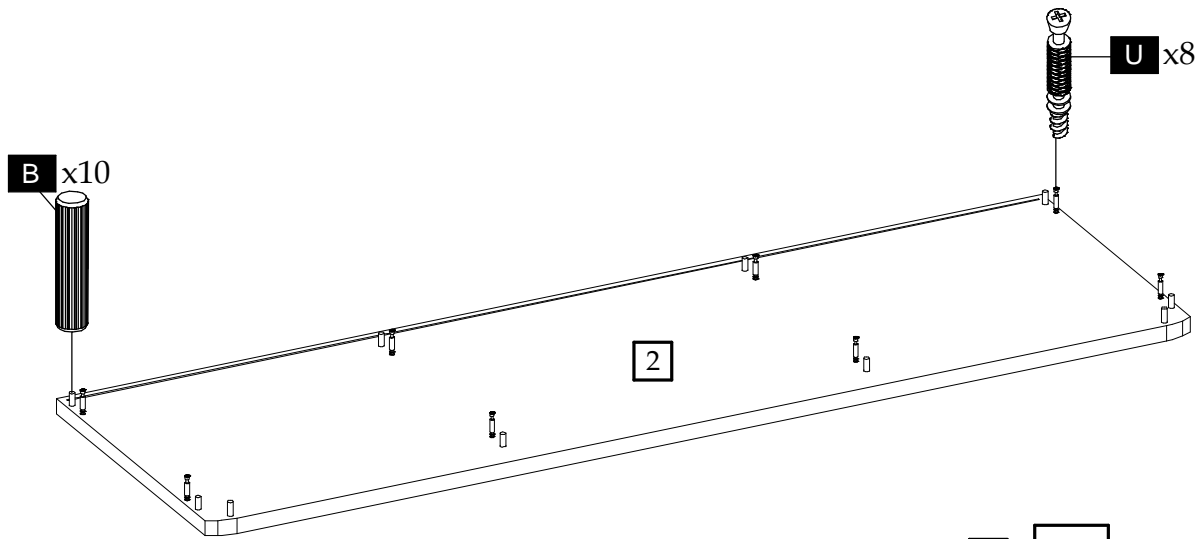
4



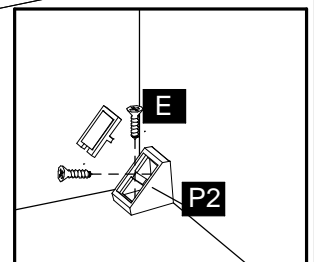
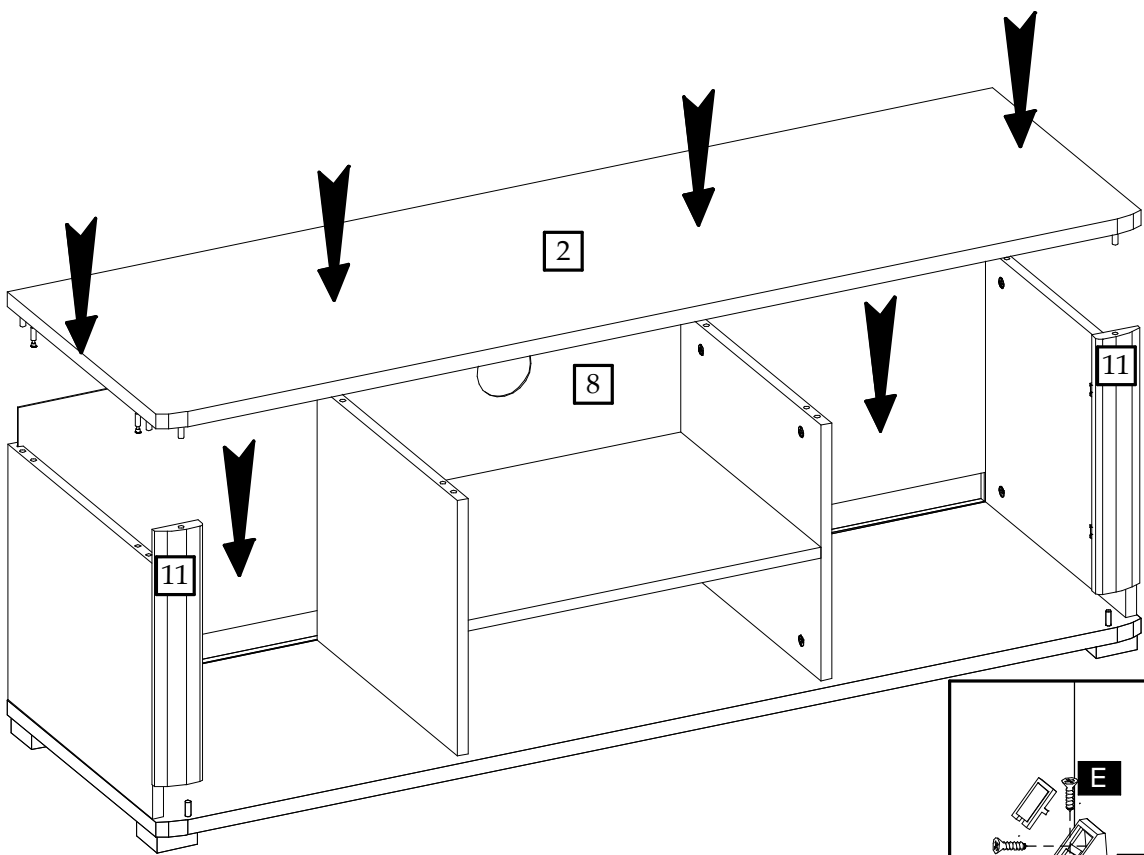
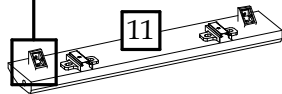
5



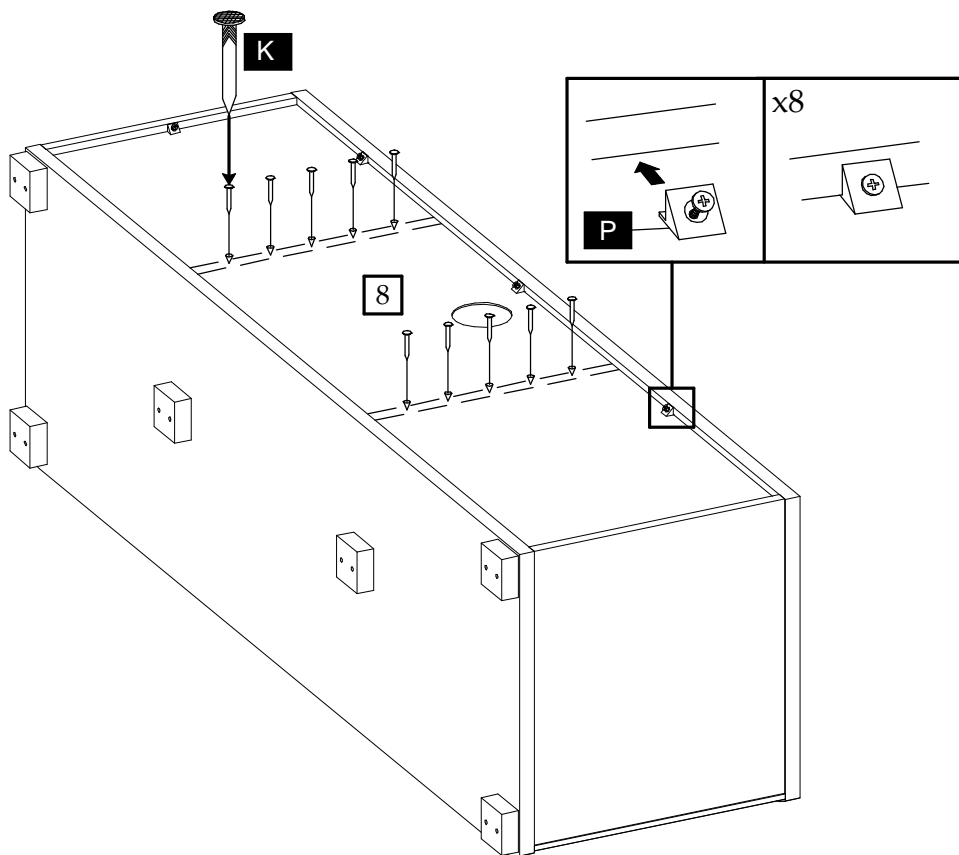
6



7



8



9

