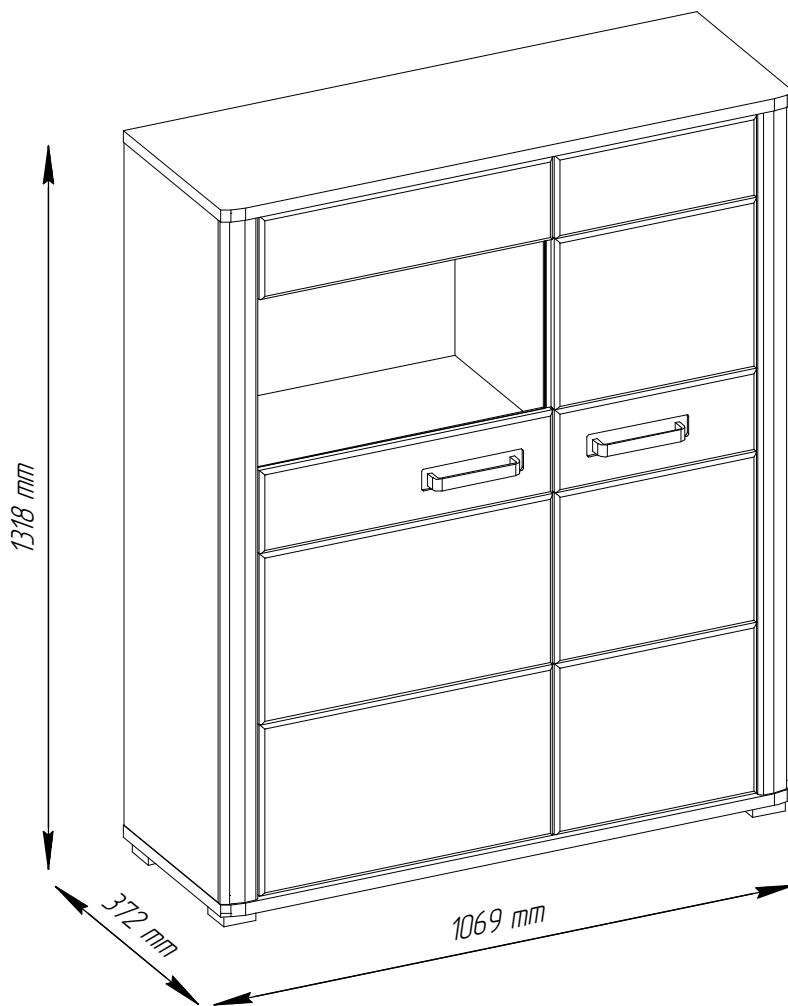
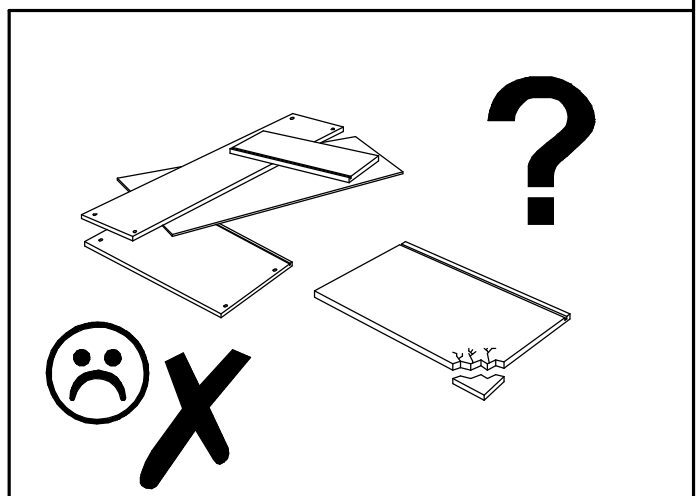
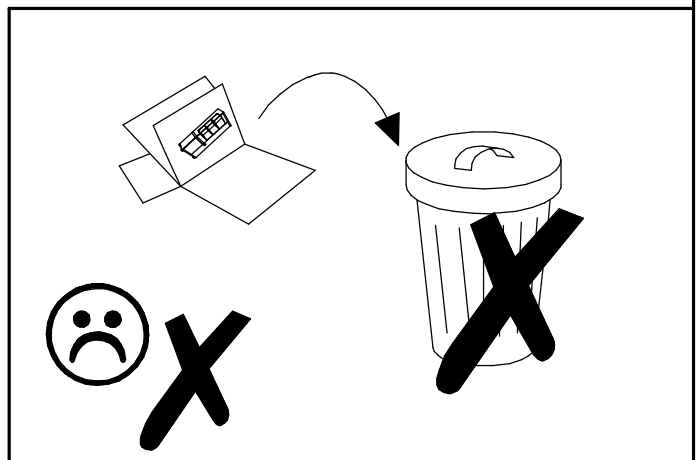
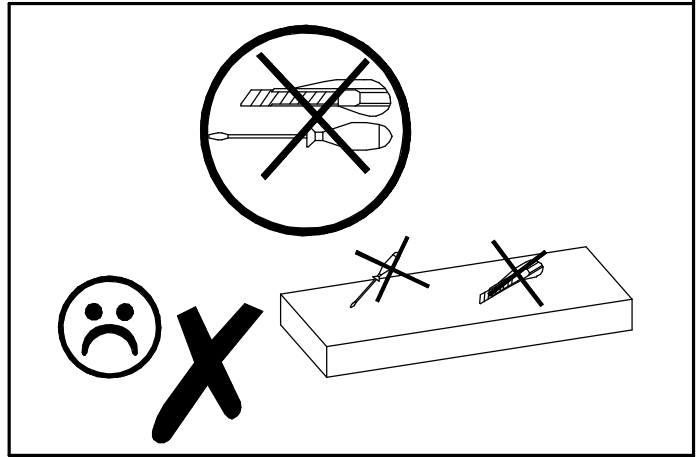
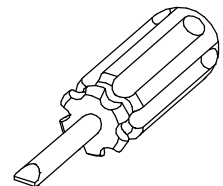
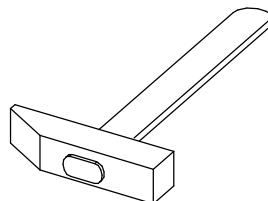
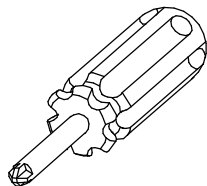
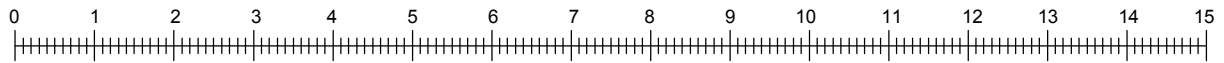
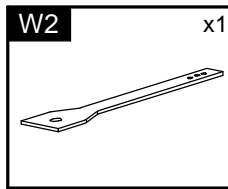
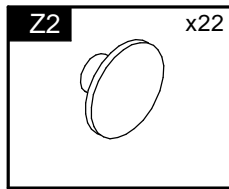
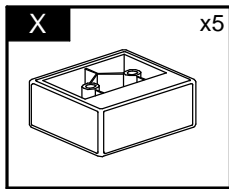
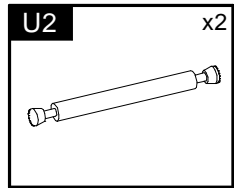
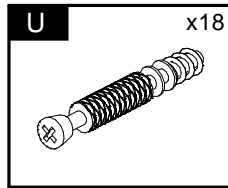
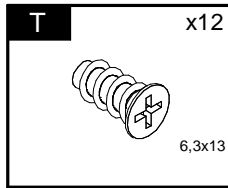
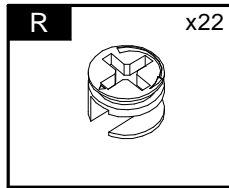
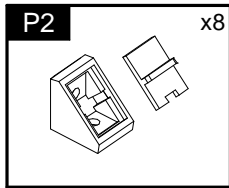
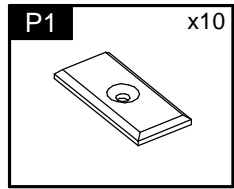
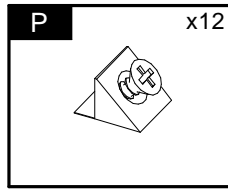
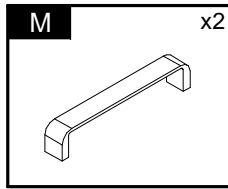
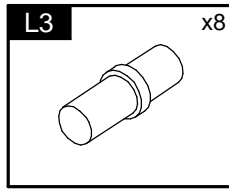
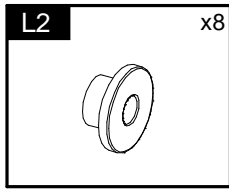
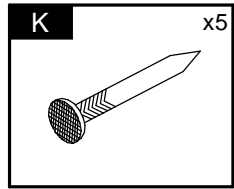
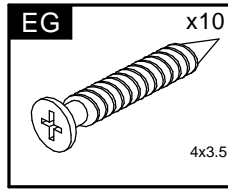
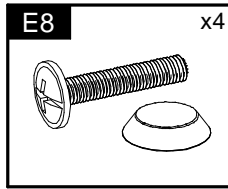
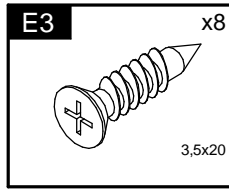
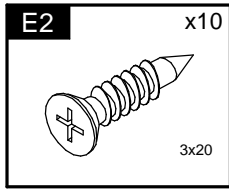
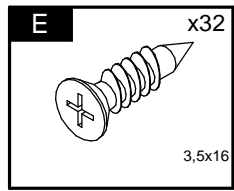
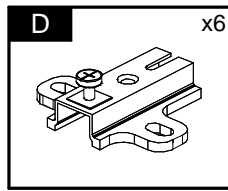
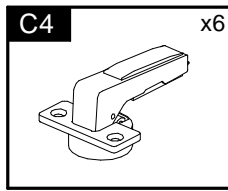
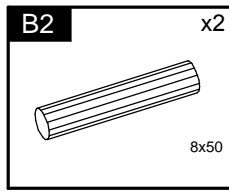
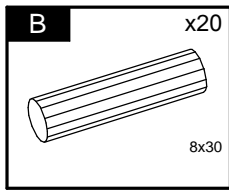


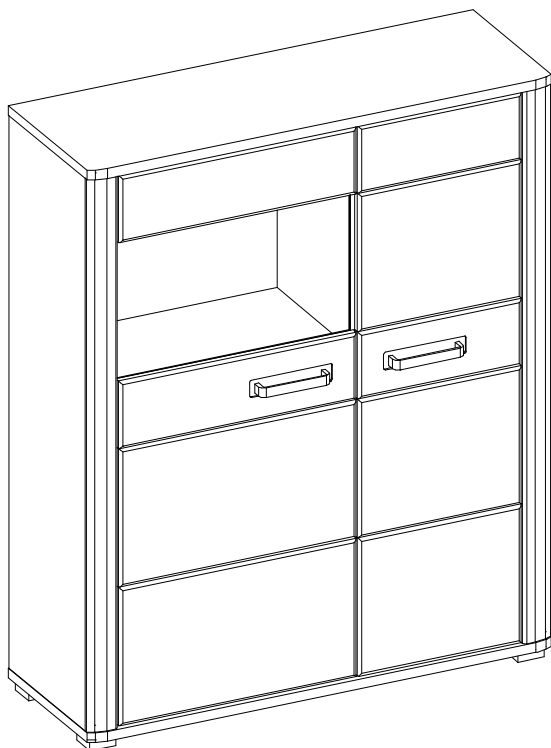
# DAVIN

## Typ C

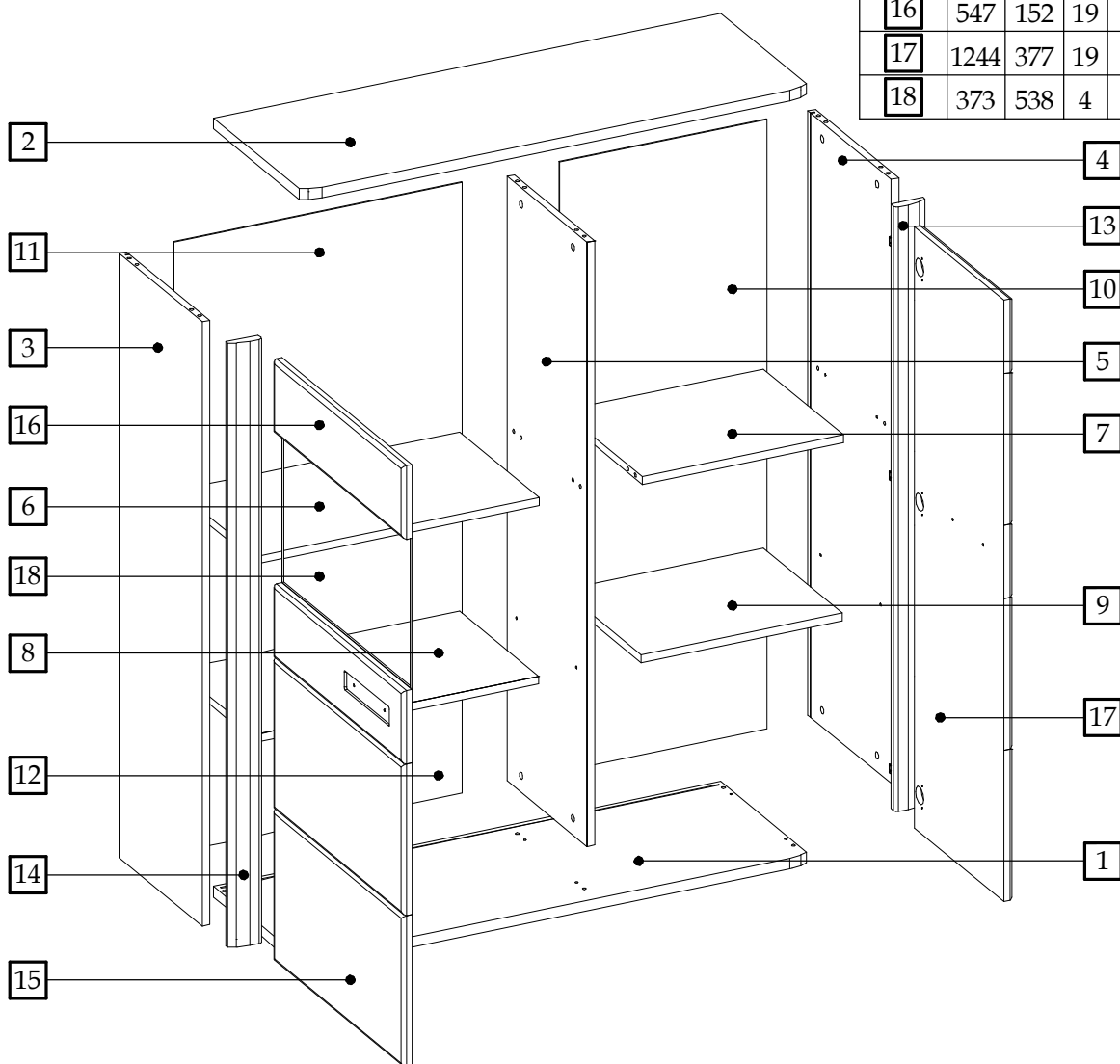


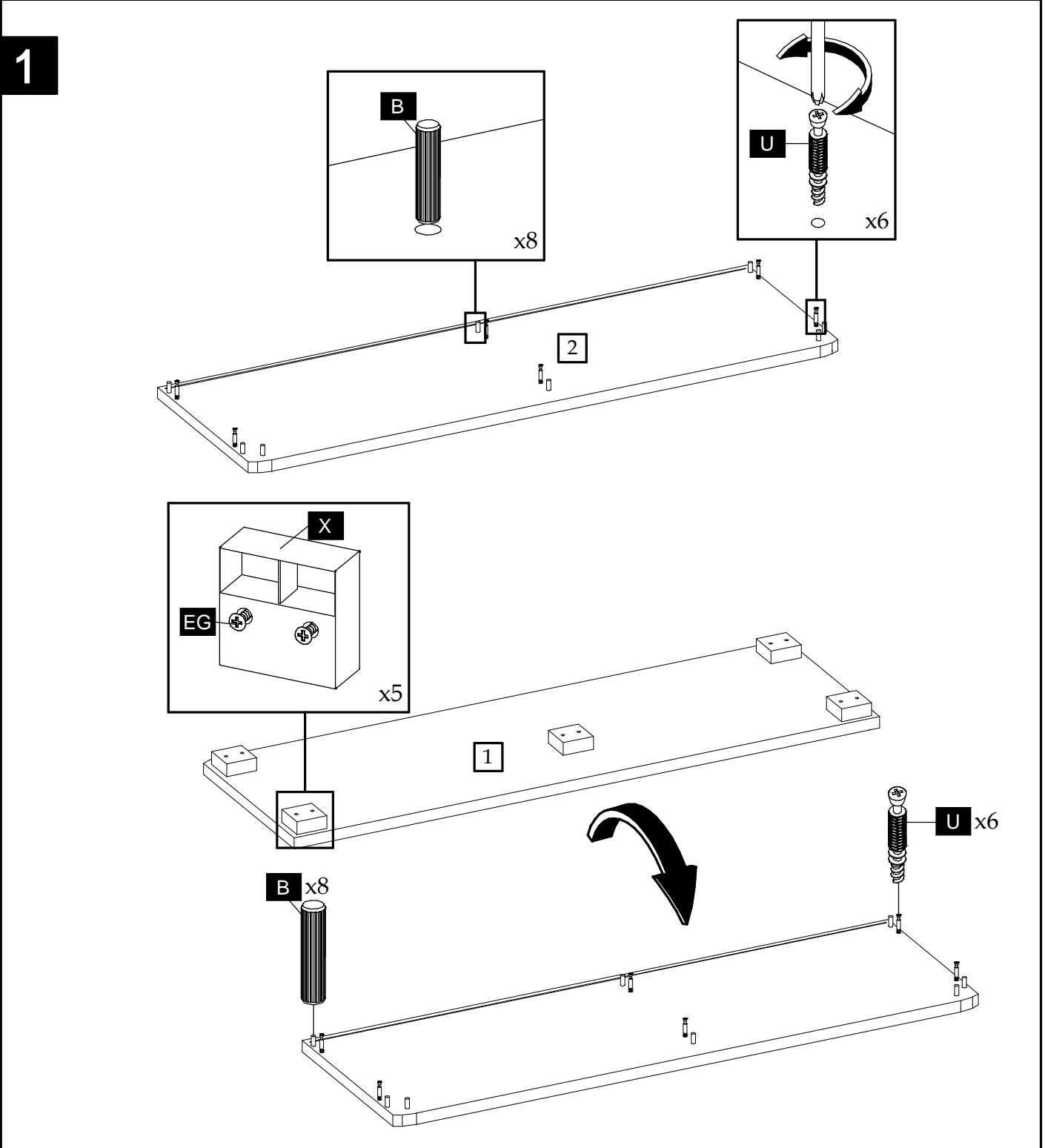




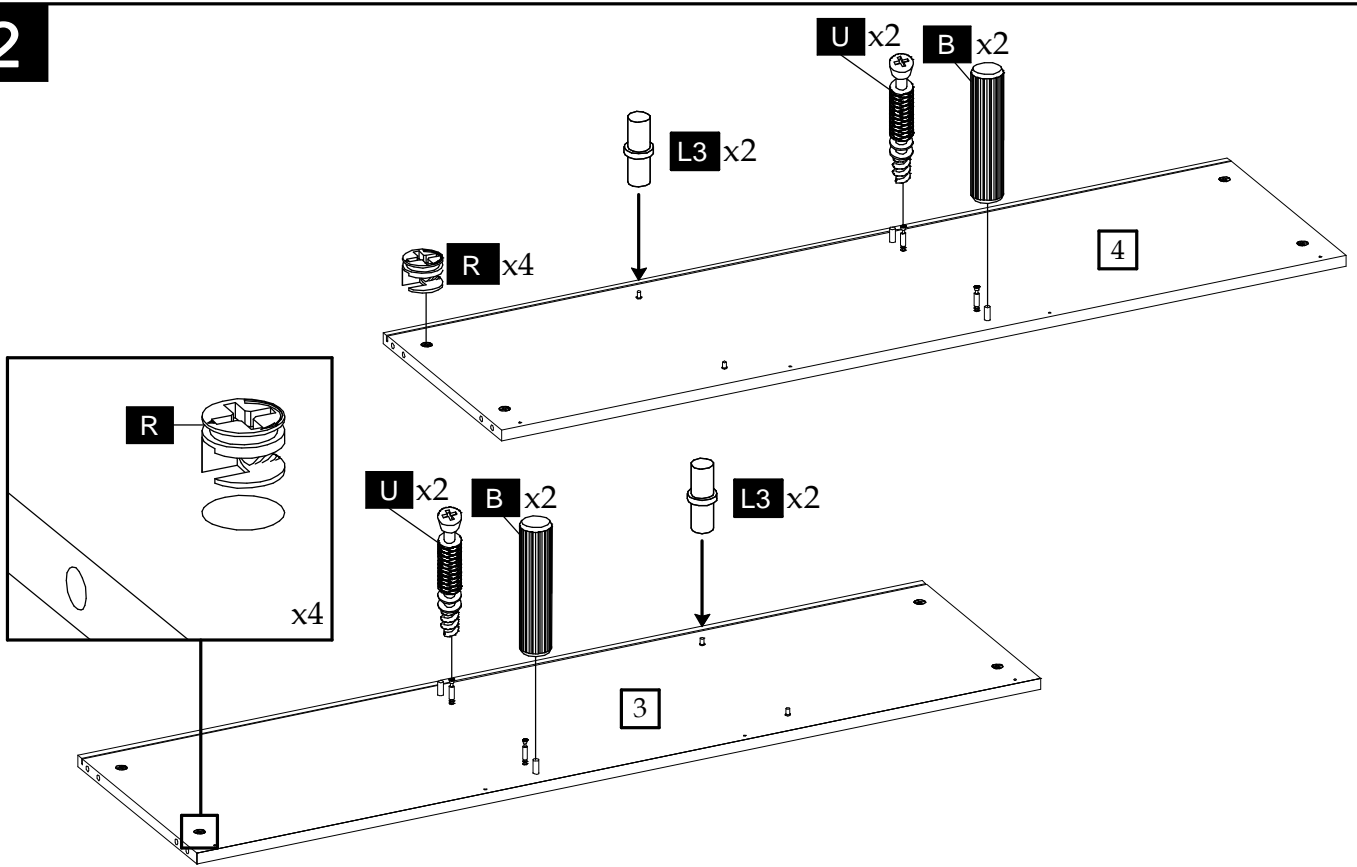


Element symbol	Measurements				Code	Paket
	W	G	T	H		
1	1069	372	22	1	1002	1/3
2	1069	372	22	1	1003	1/3
3	1249	350	16	1	1004	2/3
4	1249	350	16	1	1005	2/3
5	1249	337	16	1	1006	2/3
6	594.5	336.5	16	1	1008	1/3
7	424.5	336.5	16	1	1010	1/3
8	594.5	330	16	1	N/A	1/3
9	424.5	330	16	1	N/A	1/3
10	1261	437	2.5	1	N/A	2/3
11	521	607	2.5	1	N/A	3/3
12	738	607	2.5	1	N/A	3/3
13	1249	68	19	1	1014	2/3
14	1249	68	19	1	1015	2/3
15	779	547	19	1	3018	3/3
16	547	152	19	1	3019	3/3
17	1244	377	19	1	3020	2/3
18	373	538	4	1	N/A	3/3

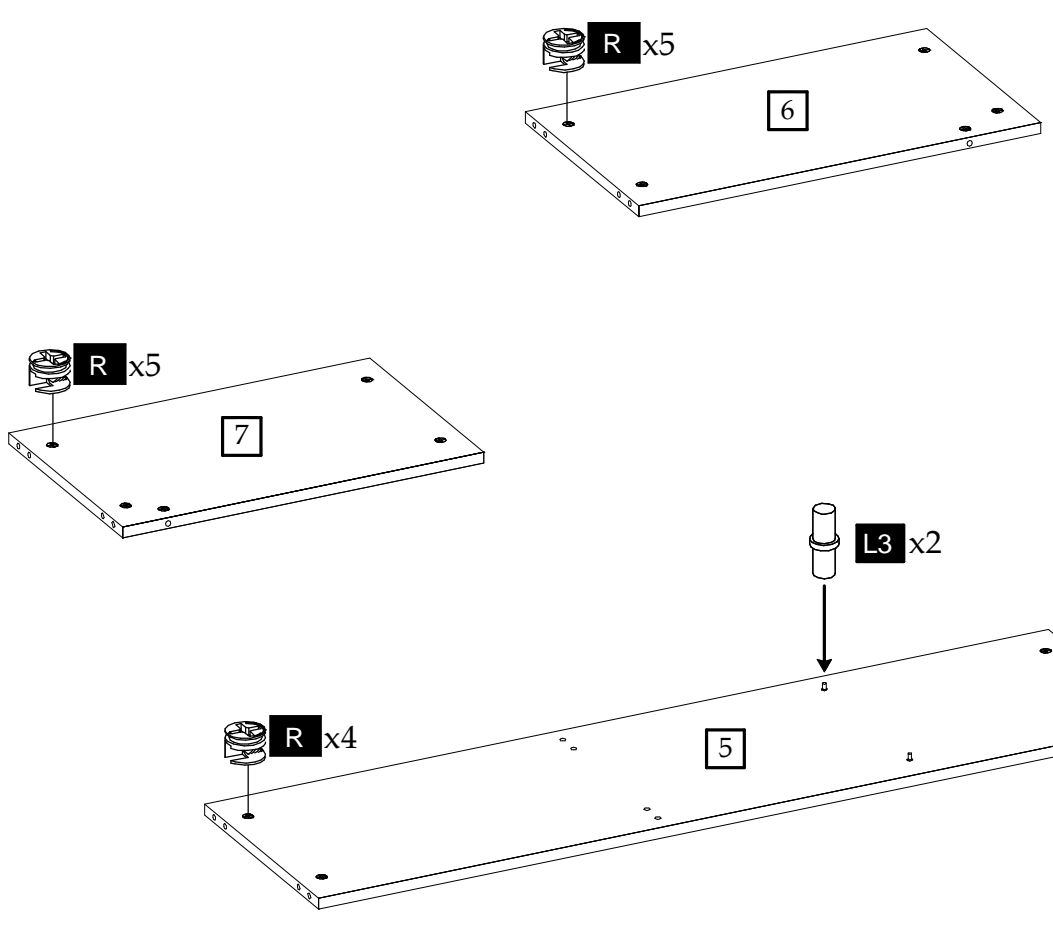




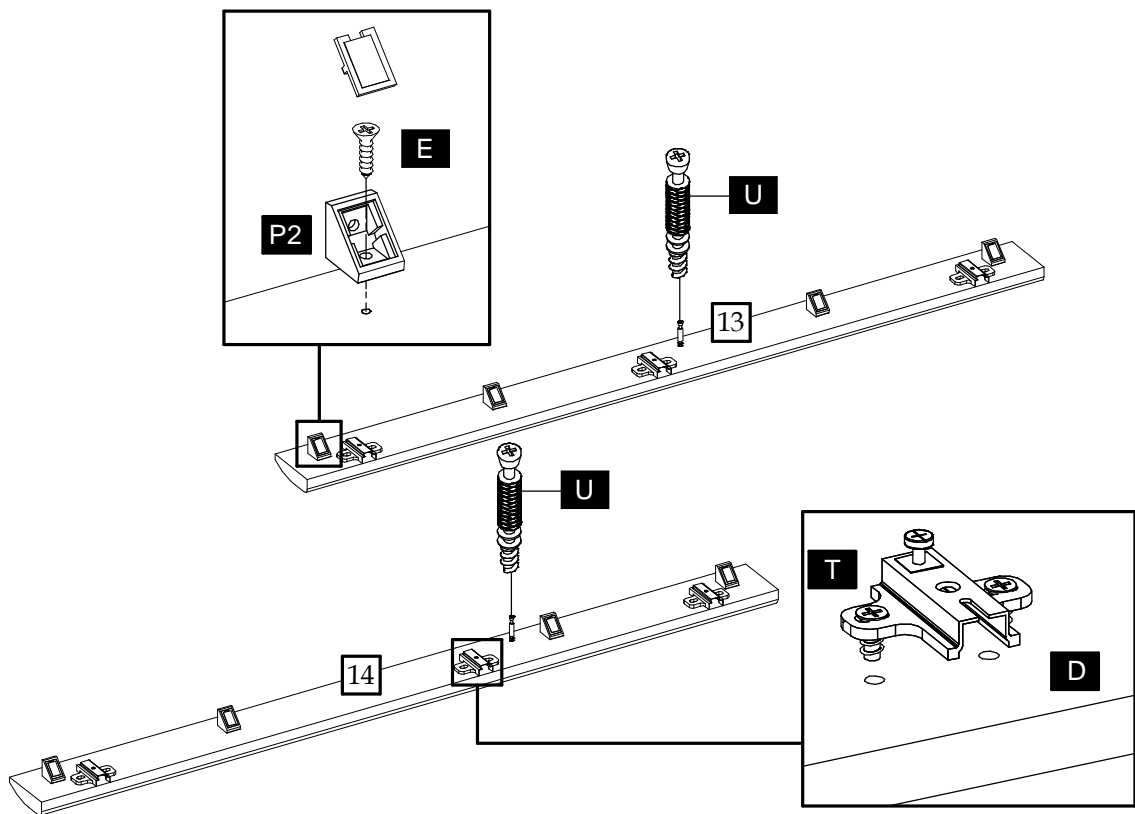
2



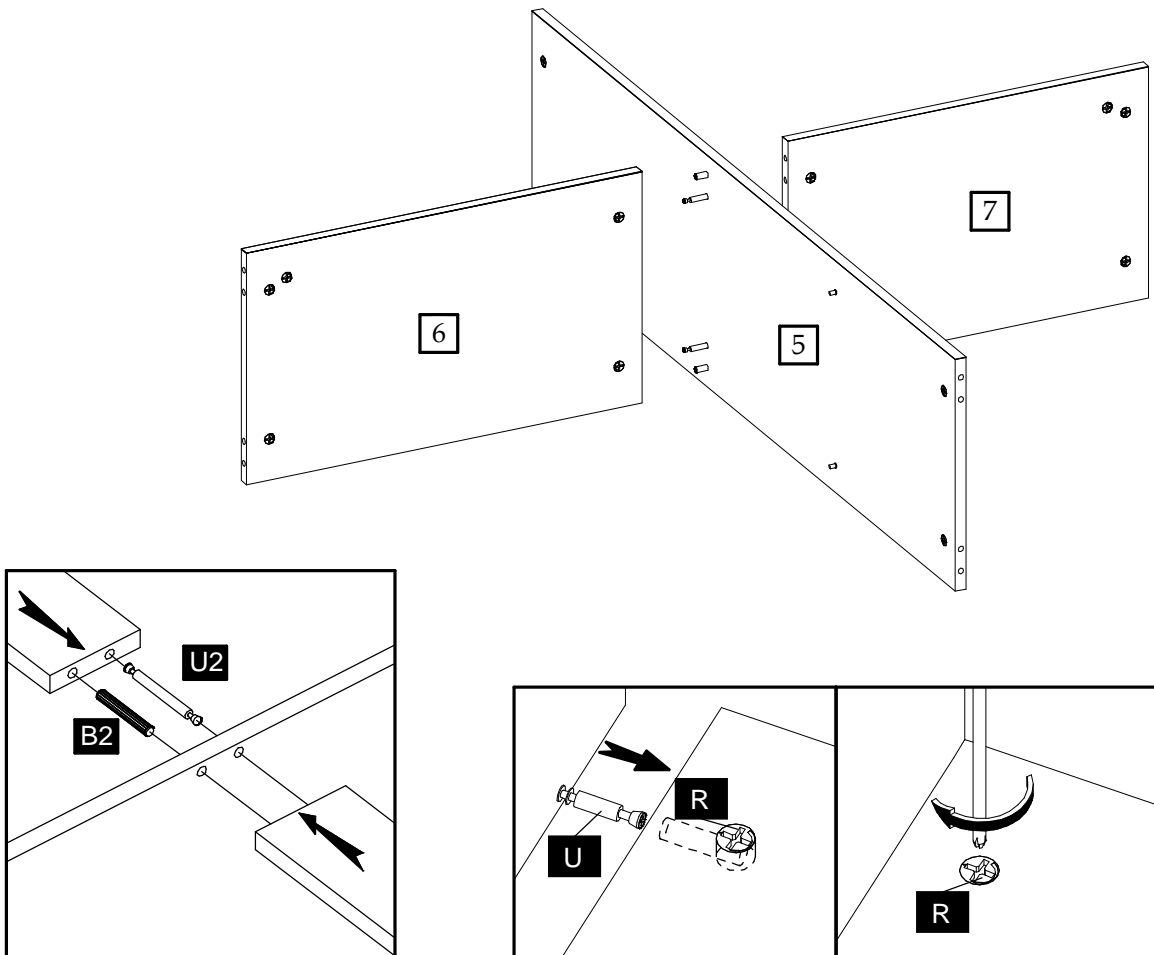
3



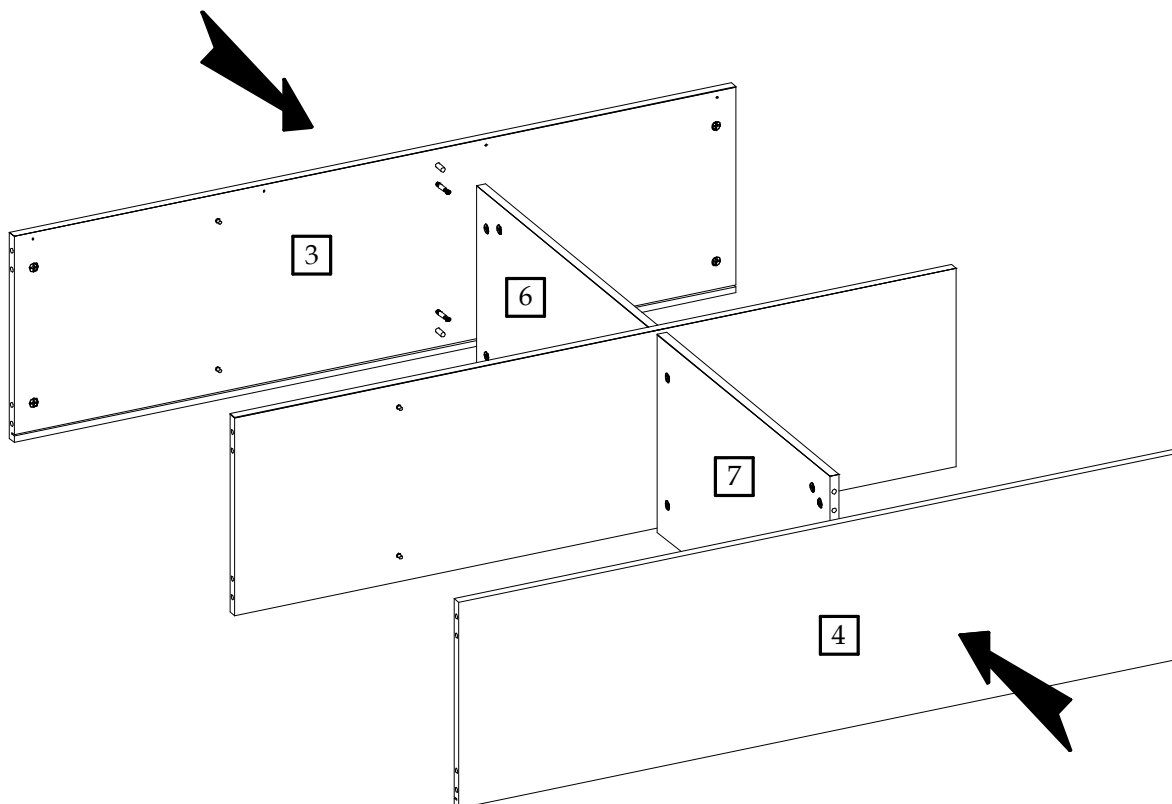
4



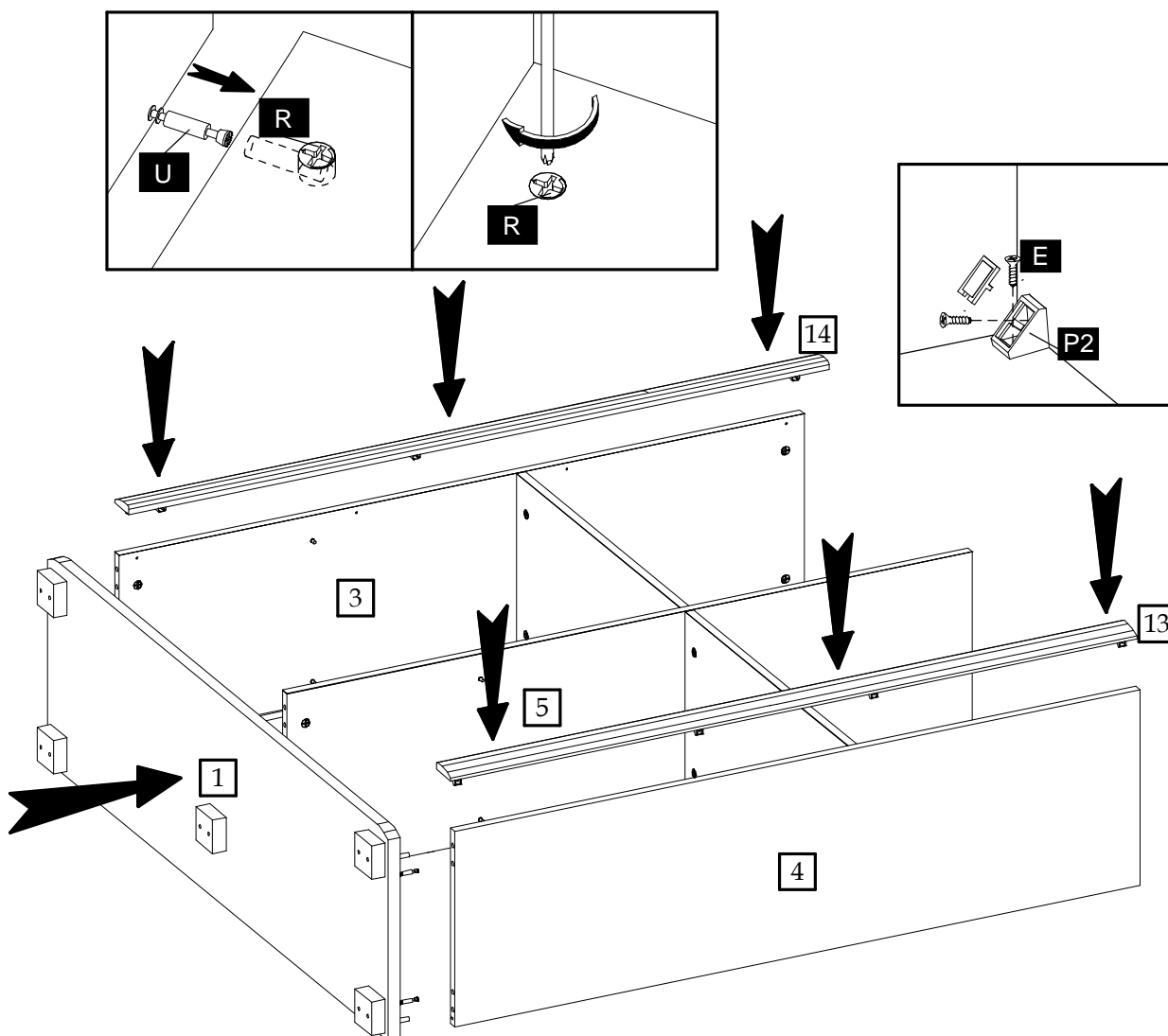
5



6

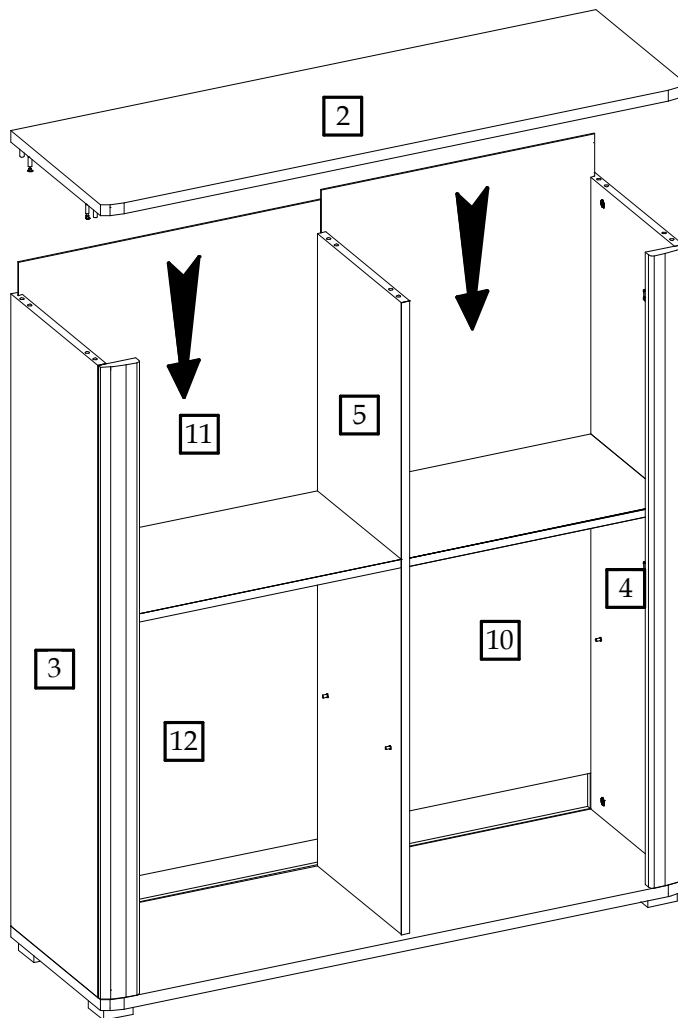
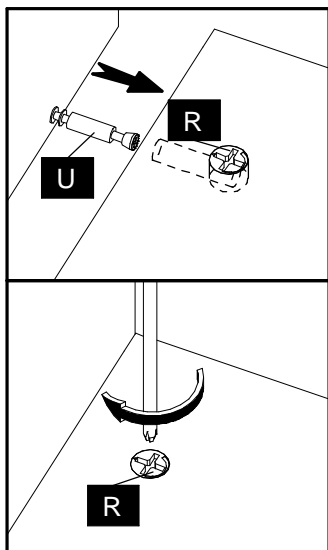


7





8



9

